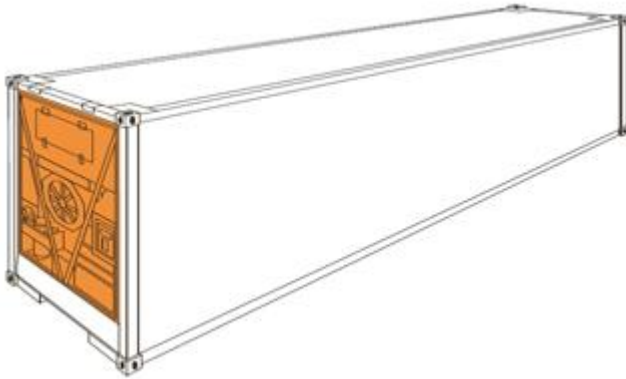


REEFER

!!! Внутренние размеры и грузоподъемность контейнеров разных изготовителей может незначительно отличаться



Ratings

Maximum Gross Weight

Tare Weight incl. reefer unit (535 kg)

Max. Payload

Stacking Test Load

Heat Leakage, U-Value

Air Leakage

Internal Cubic Capacity

External Dimensions

Length

Width

Height

Internal Dimensions

Length

Width

Height

Door Opening

Width

Height

Cargo Access Height

Reefer

34,400 kg (74,957 lb.)

4,600 kg (10,141 lb.)

29,400 kg (64,816 lb.)

102,375 kg (225,698 lb.)

Max. 35 kcal/h°C

3.5m/h(at 25.4 mm H₂O)

67.5m³

12,192 mm (40'-0")

2,438 mm (8'-0")

2,896 mm (9'-6 0/10")

11,585 mm (380'-0 1/10")

2,290 mm (7'-6 2/10")

2,545 mm (8'-4 2/10")

2,290 mm (7'-6 2/10")

2,557 mm (8' - 4 7/10")

2,510 mm (8' - 2 8/10")

External Cladding

Side	MGSS 0.8/1/2 mm
Roof	MGSS 0.8 mm
Base	MGSS 0.8 mm
Door	MGSS 1.6 mm

Internal Cladding

Side	HGSS 0.7 mm
Roof	P.P white AI. 0.8 mm
Base	63.5 mm high AI. T-floor
Door	HGSS 0.7 mm

Frames

Front Corner Posts	Outer: Corten 6.0 mm; Inner Corten 2.0 mm
Rear Corner Posts	Outer: Corten 6.0 mm; Inner Corten 8.0 mm
End Rails	Corten 4.0 mm
Side Top Rail	Corten 4.0 mm
Side Bottom Rail	Corten 4.0 mm/3.0 mm